

# Analysis of the frontend circuit

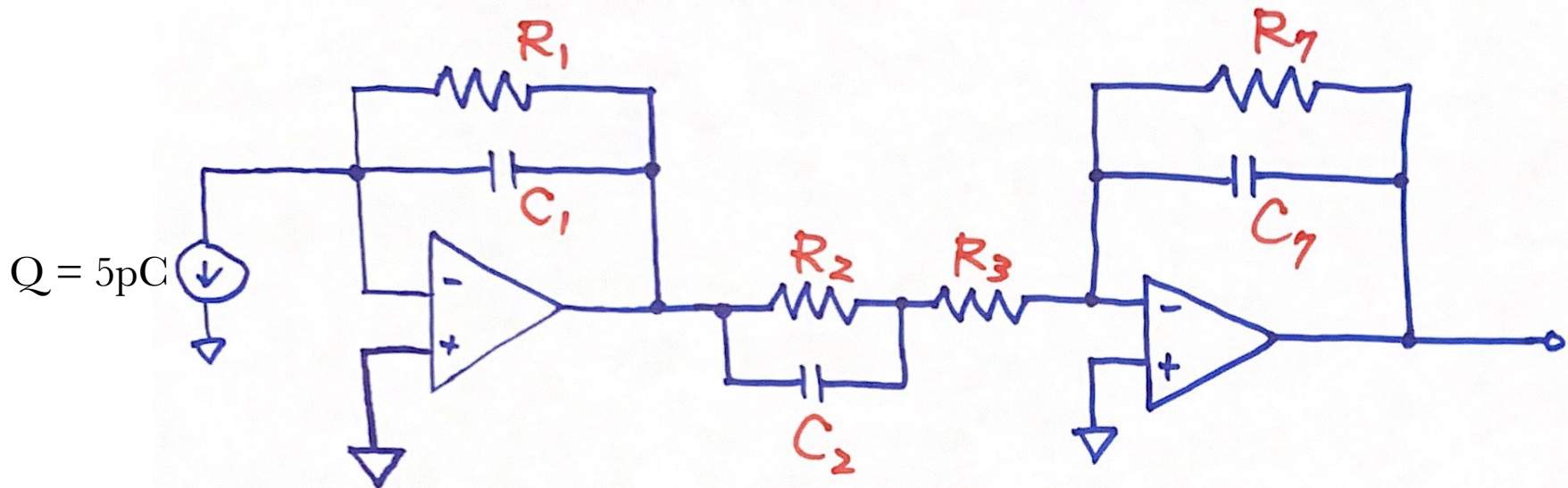
by T. Fusayasu

## Group Homework Problem:

The following circuit should work as same as the example circuit which was shown in the lecture with only the amplification difference.

Please calculate the transfer function of this circuit to show that the above sentence is true.

You can also use the capacitor and resistor parameters shown below to draw a graph of the time dependence of the output voltage.



$$R_1 = 20\text{M}\Omega, R_2 = 20\text{k}\Omega, R_3 = 5\text{k}\Omega, R_7 = 20\text{k}\Omega,$$
$$C_1 = 0.5\text{pF}, C_2 = 500\text{pF}, C_7 = 100\text{pF}$$